

ORIGINAL INSTRUCTIONS



GASOLINE LAWNMOWER

RAC4000T-A2



BUILDER SAS

32, rue Aristide Bergès - ZI 31270 Cugnaux – France



GENERAL SAFETY RULES

Instructions

- Read the instructions carefully. Be familiar with the controls and proper use of the equipment.
- Never allow children to use this mower. If the mower is given to another person, also give this manual. Also make sure that this person uses this device only after receiving the necessary instructions. Local laws may restrict the age of the user.
- Never mow while people, especially children, or animals are nearby.
- Keep in mind that the operator or user is responsible for accidents or risks that may occur to other persons or their properties.

Preparation

- During mowing, always wear safety shoes and long pants. Do not use the equipment barefoot or wearing sandals open.
- Carefully inspect the area where equipment is being used by removing all objects that may be affected by the machine.
- **WARNING** - Gasoline is extremely flammable.
 - Add fuel before starting. Do not remove the fuel tank cap while the machine is running or when it is hot.
 - If the fuel has spilled or leaked, do not attempt to start the machine but move the machine away from the leakage area and avoid creating a source of ignition until the gasoline vapours have dissipated.
 - Refuel only outside and do not smoke during refuelling.
 - Store fuel in tanks specifically designated for this purpose.
 - Replace the fuel tank or the defective gasoline plug securely.
- Replace defective mufflers.
- Before use, always inspect visually that the blades, blade assembly and blade lock are not worn or damaged. Replace blades and blade assemblies that are not in good condition to maintain balance.
- The blades must be balanced to ensure proper operation and to be able to work safely.

Operation

- Do not use the machine in a confined space or hazardous carbon monoxide emissions can be collected.
- Mow only under daylight or under good artificial light.
- Avoid using the equipment on greasy grass, where possible.
- Always be sure of your footing on the slopes.
- Walk, never run.
- For lawn mowers, mow across slopes, never from top to bottom.
- Exercise extreme caution when changing direction on slopes.
- Stop the blades if the mower is to be tilted during transport when crossing surfaces other than grass, and when transporting the mower due to the area to be mowed.
- Do not mow on steep slopes.

- Use extreme caution when tipping or pulling the mower towards you.
- Never use the mower with defective guards, or without safety devices such as baffles and or collection bins, which are not in place.
- Do not change the motor configuration or increase the speed.
- For starting, disengage all blades, the gears must be in neutral, the traction control lever must be released. Set foot well away from the blades.
- Before starting the engine or starting the engine, carefully read and understand all instructions.
- Do not tilt the mower when starting the machine or turn on the engine, unless the mower needs to be tilted for starting. In this case, do not tilt it more than absolutely necessary and lift only the part that is furthest away from the user.
- Do not start the machine by standing in front of the ejection
- Do not place hands or feet near or under rotating parts. Keep clean the mouth of the grass extractor.
- Never take or carry the mower while the machine is running.
- Stop the machine and remove the ignition key, disconnect the spark plug from the spark plug:
 - Before cleaning or unclogging the grass extractor.
 - Before checking, cleaning, and working on the mower.
 - After hitting an object. Inspect the mower for damage and repair before re-using the mower.
 - If the mower begins to vibrate abnormally, stop the engine immediately and check according to previous recommendations.
- Stop the engine immediately:
 - Every time you leave the craft.
 - Before refuelling.
- To stop the engine, reduce the throttle setting, turn off the ignition and release the operator presence grip, close the fuel cock (depending on the equipment).
- Move slowly when moving.

Maintenance and storage

- Check, and tighten all bolts, bolts, and screws to ensure that the equipment is in safe operating condition.
- Never keep the mower with gasoline in the tank in a building or vapours can cause a bright flame or spark.
- Allow the machine to cool before storing it in an enclosed area.
- To reduce the risk of fire, keep the machine clean without grass, without grease, the muffler and the engine cools, disconnect the battery if necessary and empty the fuel tank
- Check the grass catcher frequently, its condition or deterioration.
- Replace worn and damaged parts for safety.
- If the fuel tank is to be drained, it must be made outdoors.

Special safety instructions

- In case of lack of knowledge or first use of this product, we recommend that you have a

formation/ training with a professional or an experienced person.

- Always use the mower with its pick-up bag and / or deflector in the intended position.
- Switch off the engine before emptying the pick-up bag or before changing the cutting height.
- While the engine is running, never put your hands or feet under the mower or under the grass ejection area.
- Before mowing, remove all foreign objects from the grass that can be propelled by the machine.
- Keep children and pets at a safe distance while using the mower.
- Never lift the mower when the engine starts.
- Alcohol, drug, as well as illness, fever and fatigue affect your ability to respond. Do not use this tool in such circumstances.
- Never change the rated speed of the motor.
- Never lift or carry the tool while the engine is running.
- Before starting the engine, release the drawbar.
- Before mowing, install the collection bag in its intended position.
- Do not use the mower in the event of rain or when the grass is wet.
- Never lift the rear of the mower when starting the engine and never place your hands or feet under the mower deck or in the rear ejection port while the engine is running.
- Turn off the engine and remove the spark plug cap in the following cases:
 - Before operating under the mower deck or near the ejection opening.
 - Before any maintenance, repair or verification.
 - Before transporting, lifting or storing the mower.
 - If you leave the mower unattended or change the cutting height.
 - To remove and empty the collection bag.
- After striking a foreign object, turn off the engine and carefully inspect the mower for damage. Take the lawnmower to an authorized service center for repair if necessary.
- If the mower vibrates abnormally, try to understand the reason and bring your lawnmower to an authorized repair center.
- Regularly check that the bolts, nuts and screws are properly tightened for safe use of the mower.
- Do not use the tool where there is a risk of lighting.
- Avoid operating the lawnmower in slopes and near drop-offs, ditches or embankments. If it is really needed to use the tool on these locations, take an extreme precaution and stay in alert. Do not take any risk.
- Before and after use, check that all functions, protections, parts, work properly and that they are not damaged. Bring maintenance and regular checking to the tool. In case of damage or malfunction, do not use the tool and take it to a service agent for inspection and repair.
- Safety systems or features of the lawnmower shall not be tampered with or disabled.
- The operator should not alter or tamper with any sealed adjustments for the engine speed control.
- Wear protective equipment including at least a hearing protection, eyes protection, helmet, gloves, antiskid shoes, respiratory protection and protective clothes.

Fuel Handling

Use caution when handling fuels. They are flammable and the vapours are explosive.

Use only an approved container.

Never remove the fuel cap or add fuel while the machine is on. Turn off the unit and allow the engine and exhaust components to cool down before refuelling.

Do not smoke.

Never refuel inside a room.

Never store the tool and the fuel tank indoors where there is a naked flame, such as near a water heater.

If fuel has spilled, do not attempt to start the machine, but move it away from the spill before starting to use it. Please clean up any spills.

Replace and tighten the fuel tank cap after refuelling.

Follow strictly the instructions in this manual for filling the tool with fuel.

During maintenance and storage

Switch off the tool and wait until it stops completely. Make sure that all moving parts are stopped. Park the tool in a secure place before maintenance.

Allow the machine to cool before performing inspection, adjustments, maintenance, servicing and storage.

Store the tool where fuel vapour will not reach a flame or spark.

When transporting and storing the tool, always use a protection device to avoid fuel spillage, accidents and injuries.

Residual risks

Even if you use this product in compliance with all safety requirements, the potential risks of injury and damage remain. The following hazards may arise in the structure and design of this product:

Always be vigilant when using this product, so you can recognize and manage the risks rather. There are adverse health consequences resulting from the emission of vibration if the product is used for long periods of time or not properly managed and properly maintained.

There are risks of injury and property damage due to attachments or broken the sudden impact of hidden objects when using cutting.

Risk of injury to persons and property caused by flying objects.

Prolonged use of this product exposes the operator to vibrations and can produce so-called "white finger" disease. To reduce the risk, wear gloves and keep your hands warm.

If any of the symptoms of "white finger syndrome" occur, seek immediate medical attention.

Symptoms of "white finger" include numbness, loss of sensitivity, tingling, tingling, and pain, loss of strength, colour changes or skin condition. These symptoms usually appear on the fingers, hands or wrists. Risk increases at low temperatures.

Intended use

This model of thermal mower is designed for natural grass mowing. Any other use is prohibited.

It is suitable only for private use in a garden or plot. Lawnmowers designed for private plots or

gardens are those used for the maintenance of grassy areas and private lawns and should not be used in public areas, parks, sports, agricultural or forest areas.

CARE INSTRUCTIONS

IMPORTANT - Regular, careful maintenance is essential for keeping the safety level and original performance of the machine unchanged in time.

Keep all nuts, bolts and screws tight to be sure the equipment is in safe working condition.

Regular maintenance is essential for safety and performance.

Never store the equipment with fuel in the tank inside a building where fumes can reach an open flame, a spark or a source of extreme heat.

Allow the engine to cool before storing in any enclosure.

To reduce the fire hazard, keep the engine; exhaust silencer, battery compartment and petrol storage area free of grass, leaves, or excessive grease. Do not leave containers with grass cuttings in doors.

Replace worn or damaged parts for safety. For reasons of safety, do not use the equipment with worn or damaged parts. Parts are to be replaced and not repaired. Parts that are not of the same quality can damage the equipment and be dangerous for your safety.

If the fuel tank has to be drained, this should be done outdoors and when the engine is cool.

Wear strong work gloves when removing and reassembling the blade.

Check the blade's balance after sharpening.

Check the self-closing guard and grass-catcher frequently for wear and deterioration.

Whenever the machine is to be handled, transported or tilted you must: wear strong working gloves; grasp the machine at the points that offer a safe grip, taking account of the weight and its distribution.

Use only original replacement spark plug. For best results, replace the spark plug every 100 hours of use.

When transporting the equipment in the vehicle, secure it to prevent it from moving, and thus switch to be damaged or the fuel from escaping.

First aid

For the event of a possible accident, please make sure that a first aid kit is always immediately available close by. Immediately replace any items used from the first aid box.

When calling for help, give the following information:

- Place of the accident
- What Happened?
- Number of injured people
- Kind of injuries
- Your name!

Vibrations

After a long period of use of the machine, the vibration may cause a disturbance in the blood flow of hands ("White finger disease").

It is not possible to set a valid period of use in general, since the effect of the vibrations depends on several factors.

The following precautions will help to prolong the duration of use

- Keep hands warm (wear warm gloves);











- Take breaks.

The following factors shorten the duration of use:

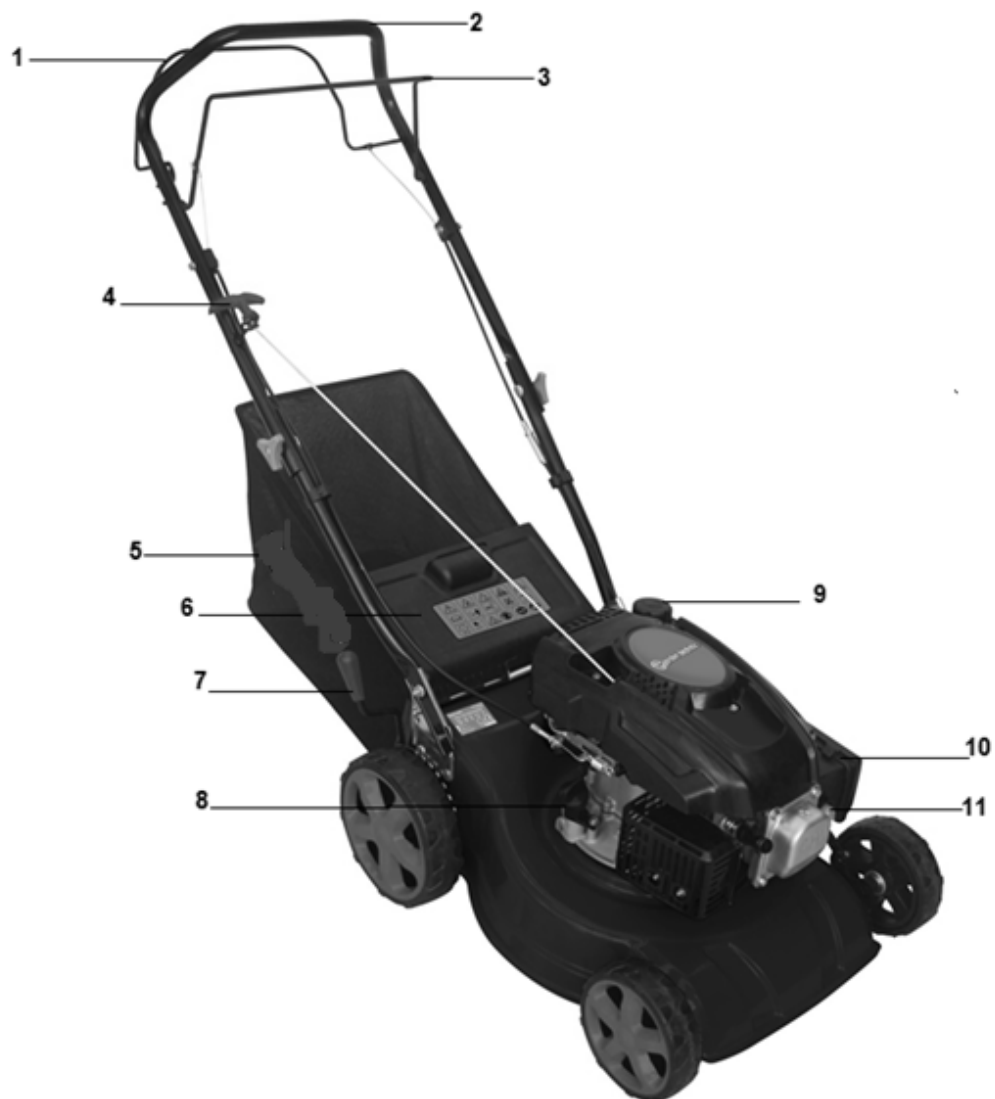
- Personal tendency to suffer poor blood supply to (symptoms often cold fingers, tingling);
- Use at low ambient temperatures;
- Force exerted on the handles (a very firm grip discomfort irrigation blood).

If you regularly use the machine for long periods and that symptoms listed above (e.g. tingling fingers) is show several times, it is recommended to get by auscultation a doctor.

Symbols

	<p>Read the instructions</p>
	<p>Watch out for projections! Keep viewers away from work area</p>
	<p>Danger! Keep your hands and feet away from the cutting element</p>
	<p>Toxic fumes; don't operate inside house.</p>
	<p>Fuel is flammable, keep fire away. Do not add fuel with running machine.</p>
	<p>Caution – hot surface</p>
	<p>Unplug the spark plug before maintenance and repair. Read the instruction manual.</p>
	<p>Release switch handle to stop the motor.</p>
	<p>Keep hands away from the running blade</p>
	<p>Guarantee sound power level</p>

DESCRIPTION



- 1- Self-propelled bar
- 2- Upper bar
- 3- Operator control lever
- 4- Starter rope
- 5- Grass catcher
- 6- Flap
- 7- Cutting height lever
- 8- Oil tank
- 9- Fuel tank
- 10- Air filter
- 11- Primer bulb

Assembly

Unpacking

Remove all packing materials.

Remove remaining packaging and transit supports (if existing).

Check the completeness of the packing content.

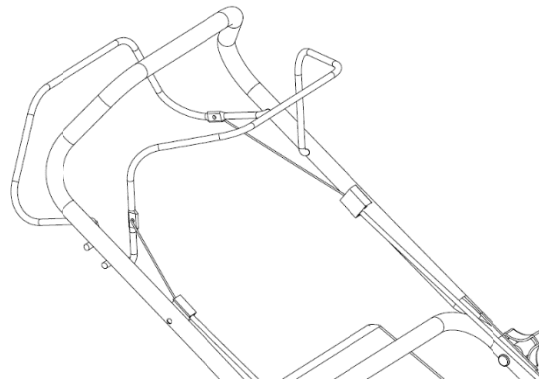
Check the appliance, the power cord, the power plug and all accessories for transportation damages.

Keep the packing materials as long as possible till the end of the warranty period. Dispose it into your local waste disposal system afterwards.



WARNING: Packing materials are no toys! Children must not play with plastic bags! Danger of suffocation!

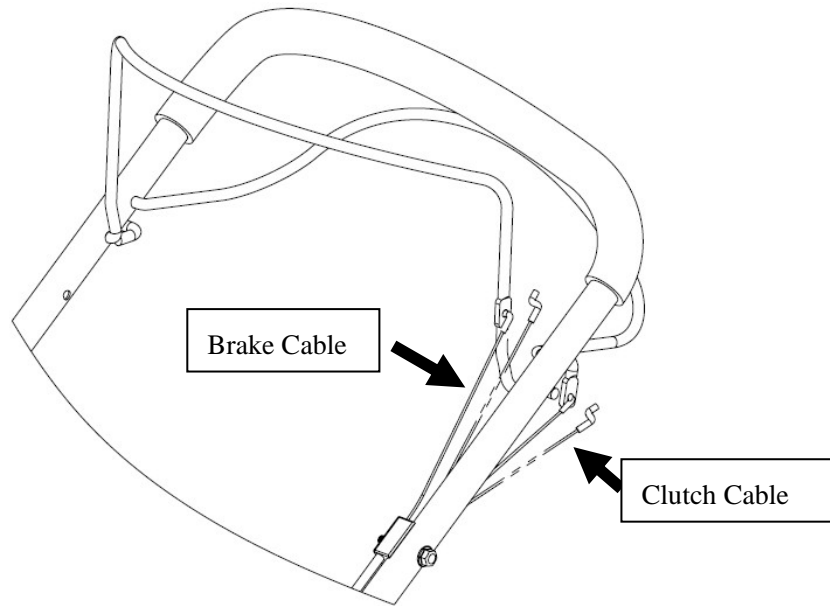
Handle assembly



- Install the lower handle on the machine and screw it with the provided screws and nuts. Combine the upper and the lower handle. Place the hook on the right side of the handle. Screw the handle with the two nut knobs and their screws.
- Install the hook on its location and fix it.

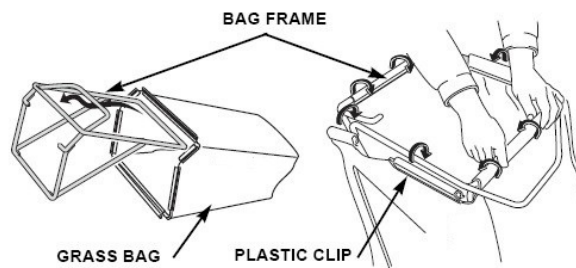
Brake Cable Setup

Put the brake cable to the hole of brake lever. (See the arrow mark)

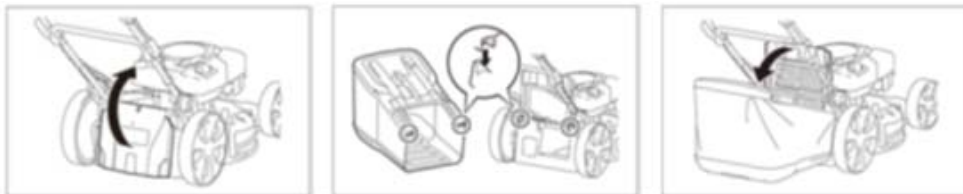


Grass Bag Assembly

- Slide the grass bag frame into the grass bag and attach the clips as shown.



Open the flap. Install then the grass bar on the tool; put the hook on the bar to fix it.



Before Operation

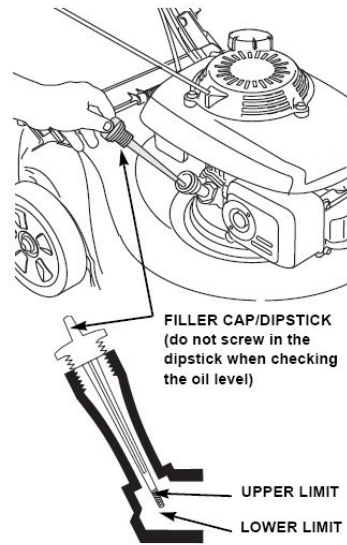
Engine Oil

The mower is shipped without oil in the engine.

All engines are run at the factory prior to packaging. Most of the oil is removed prior to shipment; however, some oil remains in the engine. The amount of oil left in the engine varies.

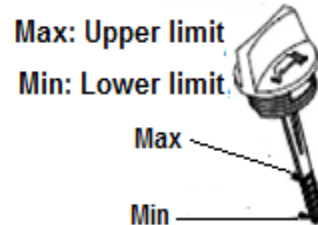
Add enough oil to bring the oil level between the upper and lower limit marks on the dipstick as shown. Do not overfill engine with oil.

Tank Capacity: 0.5L, type of oil: **SAE 15W-40**



Checking the oil level

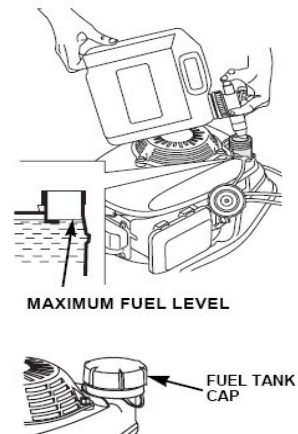
- Check the oil level when the engine is off and horizontal.
- Remove the plug / dipstick from the oil tank and wipe it off.
- Insert the oil tank plug / dipstick into the tank neck as shown, without screwing it in, and then remove it to check the oil level.
- If the oil level is near or below the lower limit of the dipstick, remove the dipstick and fill the recommended oil reservoir up to the upper limit of the dipstick (bottom edge of the dipstick). Do not overfill.
- Replace the oil tank plug / dipstick



FUEL

NOTICE: Engine delivered without gasoline; refuel 1.2 litre of before starting the engine.

- Remove the filler cap.
- Add fuel to the bottom of the fuel level limit in the neck of the fuel tank. Do not overfill. Wipe up spilled fuel before starting the engine.



- Tighten the fuel tank cap

Tank Capacity: 1.2 L, Essence: 95 or 98 oct.

WARNING! Gasoline is extremely flammable.

Store fuel in specially designed cans for this purpose.

Fill the fuel tank only outdoors and before starting the engine. Do not smoke when filling the fuel tank or handling fuel.

Never open the fuel tank cap and never add fuel while the engine is running or when it is hot.

If fuel has spilled, do not start the engine any further, move the tool away from where the fuel has been spilled, and be careful not to create a spark or flame until the fuel vapours have dissipated.

Fully close all fuel tank and fuel canisters.

Before tilting the mower to maintain the blade or drain the oil, empty the fuel tank.

WARNING: Never fill the fuel tank indoors, while the engine is running, or before the engine has cooled down for at least 15 minutes after use.

CAUTION: Do not use unapproved gasoline, such as E15 and E85. Do not mix the oil with gasoline or modify the engine to operate with alternative fuels. The use of unapproved fuels will damage the engine parts and will void the engine warranty. To protect the fuel system from scale formation, add a fuel stabilizer to the fuel. All fuels are not identical. If start up or performance problems occur, change supplier or fuel brand.



Gasoline is extremely flammable, and gasoline vapour can explode, causing serious injury or death. Use extreme care when handling gasoline. Keep out of reach of children.

Refuel in a well-ventilated area with the engine stopped. Do not smoke or allow flames or sparks in the area where the engine is refuelled or where gasoline is stored. Avoid repeated or prolonged contact with skin or breathing of vapour.

After refuelling, tighten the fuel tank cap securely. If any fuel was spilled, make sure the area is dry before starting the engine.

Cutting Height Adjustment

Accordinging operation to be performed, adjust the desired cutting height; Grasp the lever, pull it to the right and then lower it to decrease the cutting height or raise it to increase the cutting height



The blade can cause serious injury. Stop the engine before adjusting cutting height.

Operation

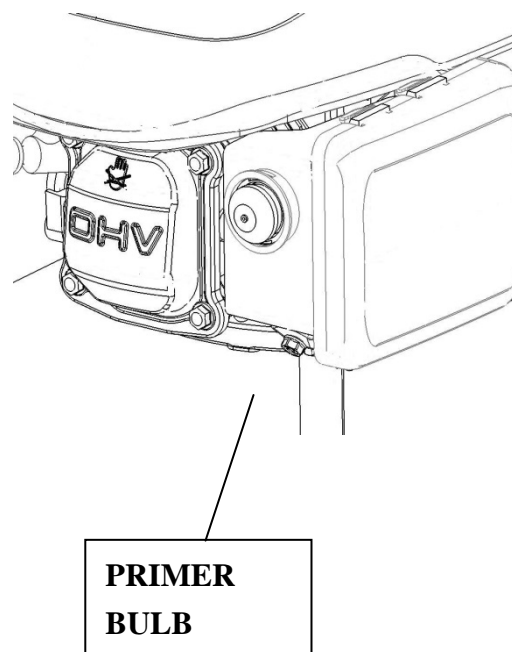
Starting the Engine

- **Primer**

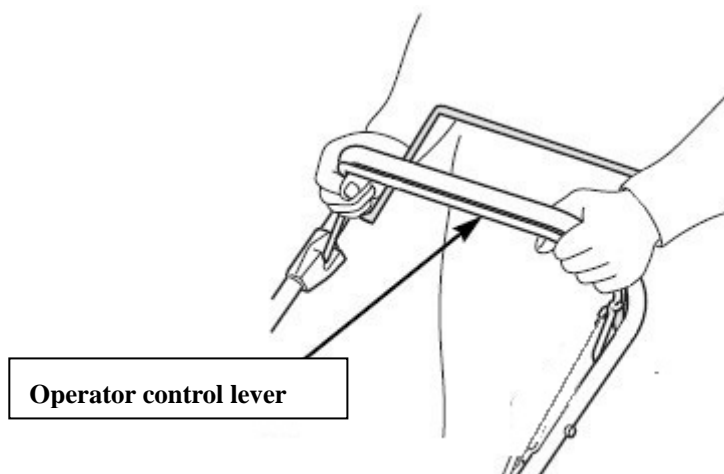
In cold condition, it's necessary to push the primer bulb before pulling the starter rope.

Primer only for cool engine use

Temperature	Push time
<0°C	3~4
0°C~10°C	2~3
10°C~20°C	1~2
>20°C	1



- Pull back on the operator control lever and hold it against the handle.



⚠ WARNING

The blade will continue to rotate for a few seconds after the engine has stopped. Disconnect the spark plug cap if the lawnmower is to be left unattended.

- Take the starter rope with your right hand and pull slowly as far as to have a resistance, and then pull energetically on the starter rope. (If the cold start is not sufficient enough, repeat this operation 2 or 3 times)



Operation the controls for mowing

Blade is in action as soon as engine started. While the machine is working maintain the security handle in working position. The engine will stop as soon as you release the operator control lever.

Release the lever to stop the engine whenever you need to leave the mower.

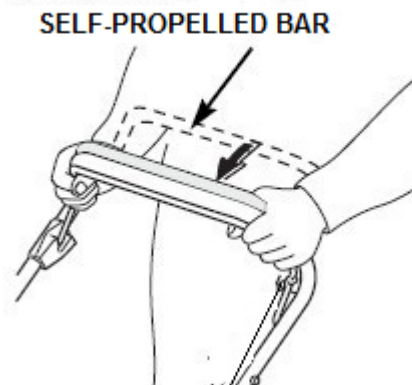
- **Self-propelled bar**

Push the self-propelled bar forward and hold it against the handlebar to propel the mower forward.

Release the self-propelled bar to stop the mower's forward movement.

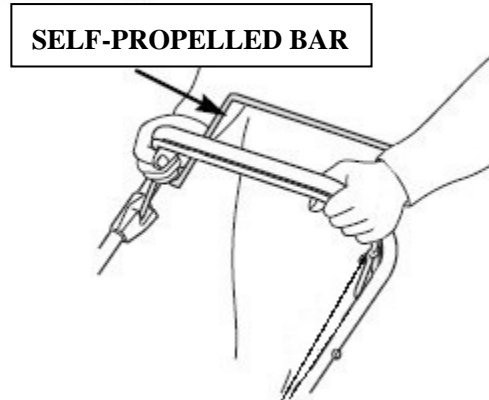
Always release the self-propelled bar before starting the engine. If this bar is engaged, the mower will move forward.

Operate the self-propelled bar with a quick and complete motion, so the bar is either fully engaged or fully released. Hold the bar against the handlebar during self-propelled mowing. This will help to extend the service life of the clutch mechanism.

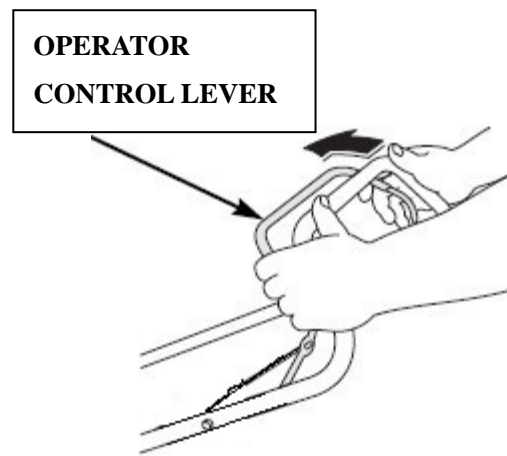


Stop engine

- Release the self-propelled bar.



- Release the operator control lever.



⚠ WARNING The blade will continue to rotate for a few seconds after the engine has stopped. Disconnect the spark plug cap if the lawnmower is to be left unattended.



Maintenance

IMPORTANT Regular, careful maintenance is essential for keeping the safety level and original performance of the machine unchanged in time. Lack of maintenance or improper maintenance can quickly damage the machine and give poor work results.

- Keep all nuts, bolts and screws tight to be sure the equipment is in safe working condition. Regular maintenance is essential for safety and performance.
- Never store the equipment with fuel in the tank inside a building where vapour may reach a flame or a spark or a source of extreme heat.
- Allow the engine to cool before storing in an enclosed space.
- To reduce the fire hazard, keep the engine, the exhaust silencer and fuel storage area free of grass, leaves, or excessive grease. Do not leave containers with grass cuttings in rooms.
- For reasons of safety, do not use the equipment with worn or damaged parts. Parts are to be replaced and not repaired. Use genuine spare parts (blades should always bear the symbol). Parts that are not of the same quality can damage the equipment and be dangerous for your safety. Contact your dealer or manufacturer for a list of recommended accessories that comply with this product.
- If the fuel tank has to be drained, this should be done outdoors and when the engine is cool.
- Wear strong work gloves when removing and reassembling the blade.
- Check the blade's balance after sharpening.
- Check the self-closing guard and grass-catcher frequently for wear and deterioration.
- Whenever the machine is to be handled, transported or tilted you must:
 - Wear strong working gloves;
 - Grasp the machine at the points that offer a safe grip, taking account of the weight and its distribution.

Blade

Inspection

- Tilt the mower to the right, so the air cleaner side is up. This will help to prevent fuel leakage and hard starting.
- Inspect the blade for damage, cracks and excessive rust or corrosion.

A dull blade can be sharpened, but a blade that is excessively worn, bent, cracked, or otherwise damaged must be replaced.

Check that the blade bolts are tight.

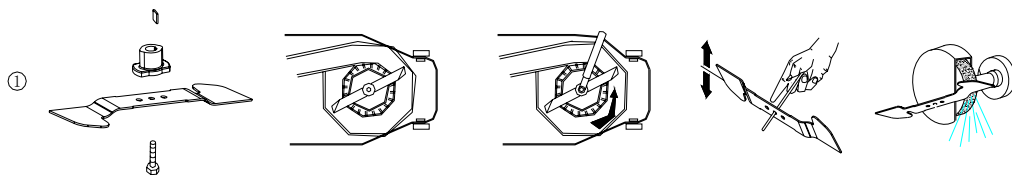
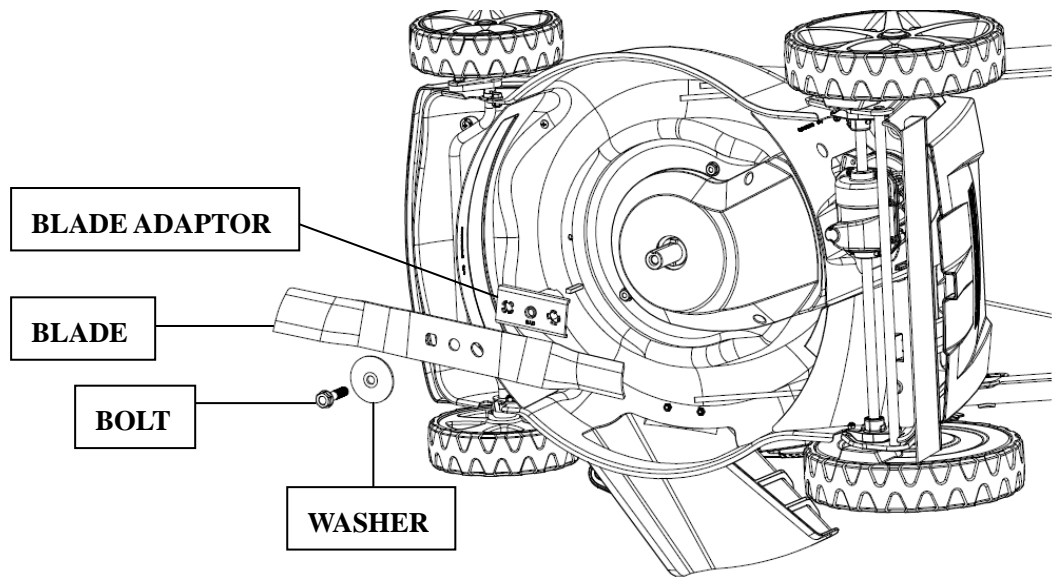


Removal and installation

Wear heavy gloves to protect your hands.

- Remove the bolt with a socket wrench. Use a wooden block to prevent the blade from turning when removing the bolt. Then remove the blade.

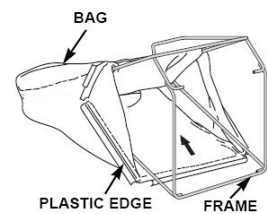
- Install the blade using the blade bolt and special washers. Be sure to install the special washers with the concave side toward the blade and the convex side toward the bolt.
- Tighten the blade bolt with a torque wrench. Use a wooden block to prevent the blade from turning when tightening the bolt.



Grass Bag cleaning and replacement

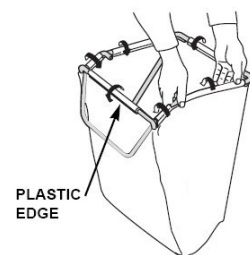
Cleaning

Wash the bag with a garden hose, and allow it to dry completely before use; a wet bag will clog quickly.



Replacement

- Unclip the plastic edges of the bag from the frame; remove the frame from the bag.
- Insert the frame into the bag; clip the plastic edges of the bag



onto the frame.

Engine Maintenance

Change Engine Oil

Drain the used oil while the engine is warm. Warm oil drains quickly and completely.

- Wipe the oil filler area clean, and then remove the oil filler cap/dipstick.
- Place a suitable container next to the mower to catch the used oil, and then tilt the mower on its right side. The used oil will drain through the filler neck. Allow the oil to drain completely.
- Please dispose of used motor oil and the containers in a manner that is compatible with the environment. We suggest you take it in a sealed container to your local recycling center or service station for reclamation. Do not throw it in the trash, pour it on the ground, or pour it down a drain.
- Fill with the recommended oil. Do not overfill. Allow a couple of minutes for the oil to settle in the engine, and then measure the oil level.

Air Cleaner Service

NOTICE: Operating the engine without an air cleaner, or with a damaged air cleaner, will allow dirt to enter the engine, causing rapid engine wear.

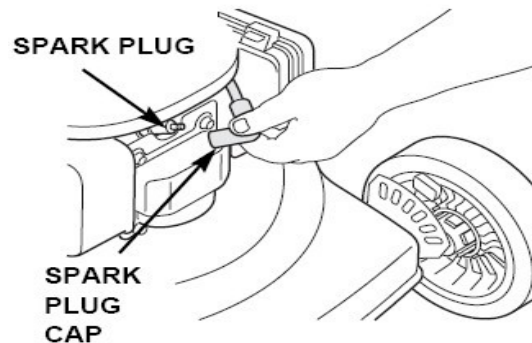
- Press down on the cover tabs and remove the cover.
- Remove the filter from the air cleaner base.
- Inspect the filter and foam element, and replace it if damaged.
- Clean the filter by tapping it several times on a hard surface to remove dirt, or blow compressed air through the air filter from the inside. Never try to brush off dirt; brushing will force dirt into the fibres.
- Wipe dirt from the inside of the air cleaner base and cover, using a moist rag. Be careful to prevent dirt from entering the air duct that leads to the carburettor.
- Reinstall the filter and cover.



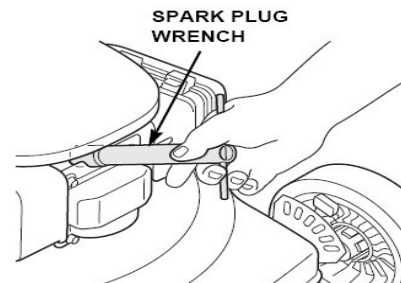
Spark Plug Service

For good performance, the spark plug must be properly gapped and free of deposits.

- Disconnect the spark plug cap and remove any dirt from around the spark plug area.

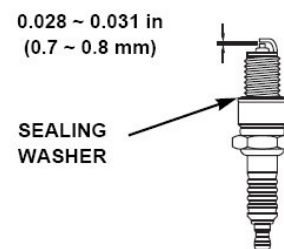


- Remove the spark plug with a spark plug wrench.



- Inspect the spark plug. Replace it if the electrodes are worn, or if the insulator is cracked or chipped.

- Measure the spark plug electrode gap with a suitable gauge. The gap should be 0.028 ~ 0.031 in (0.7 ~ 0.8mm). Correct the gap, if necessary, by carefully bending the side electrode with a suitable tool.

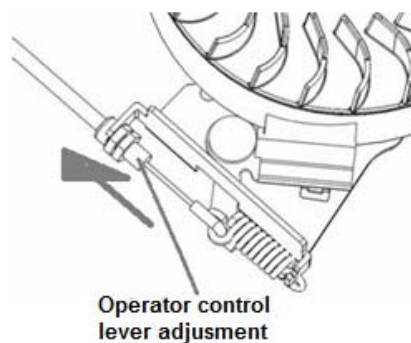


- Install the spark plug carefully, by hand, to avoid cross-threading.
- Install the spark plug cap on the spark plug.

NOTICE: A loose spark plug can overheat and damage the engine. Over tightening the spark plug can damage the threads in the cylinder head.

Operator control lever cable adjustment

- If the operator control lever is loose, you should turn the brake cable adjustment to tighten.
(please see the picture)



Maintenance Schedule

REGULAR SERVICE PERIOD(4)		Before Each Use	First Month	Every 3 Months	Every 6 Months	Every Year	Every Two Years
ITEM			or 5 Hrs.	or 25 Hrs.	or 50 Hrs.	or 100 Hrs.	or 250 Hrs.
Engine oil	Check	O					
	Replace		O	O(2)			
Air cleaner	Check		O				
	Replace			O			
Spark plug	Check-adjust					O	
	Replace						O
Flywheel brake pad (A types)	Check					O	
Fuel tank and filter	Clean			O			
Fuel tube	Check	Every 2 years (Replace if necessary)					
Valve clearance	Check-adjust					O	
Combustion chamber	Clean	After every 200 hours					

Trouble Shooting

ENGINE WILL NOT START	Possible Cause	Correction
1. Check fuel.	Out of fuel.	Refuel
	Bad fuel; engine stored without treating or draining gasoline, or refuelled with bad gasoline	Drain the fuel tank and carburettor. Refuel with fresh gasoline.
2. Remove and inspect spark plug.	Spark plug faulty, fouled, or improperly gapped.	Replace the spark plug.
	Spark plug wet with fuel (flooded engine).	Dry and reinstall spark plug.
3. Take engine to an authorized our servicing dealer, or refer to shop manual.	Fuel filter clogged, carburettor malfunction, ignition malfunction, valves stuck, etc.	Replace or repair faulty components as necessary.
4. Push the prime button	In cold condition	Push the prime button.

ENGINE LACKS POWER	Possible Cause	Correction
1. check air cleaner	Air cleaner elements clogged.	Clean or replace air cleaner elements
2. Check fuel	Bad fuel; engine stored without treating or draining gasoline, or refuelled with bad gasoline.	Drain the fuel tank and carburettor. Refuel with fresh gasoline.
3. Take engine to an authorized our servicing dealer, or refer to shop manual.	Fuel filter clogged, carburettor malfunction, ignition malfunction, valves stuck, etc.	Replace or repair faulty components as necessary.

Storage

- The same petrol must not remain in the tank for more than one month.
- Thoroughly clean the mower and store it indoors in a dry place.
- Never store the lawnmower with fuel in the tank inside a building where can reach an open flame or spark.
- To reduce fire hazard, keep the engine, muffler, battery compartment and fuel storage area free of grass, leaves or excessive grease.
- If the fuel tank has to be drained, this should be done outdoors.
- Be careful during adjustment of the machine to prevent entrapment of the fingers between moving blade and fixed parts of the machine.
- Allow the product to cool for at least 30 minutes before storing.

Environment advice

In order to protect the environment, we recommend that the following points should be given special consideration:

- Always use pure unleaded petrol.
- Always use a funnel and/or petrol can with a level control to avoid spillage when refilling the fuel tank.
- Do not fill the fuel tank completely.
- Do not overfill with engine oil.
- When changing the oil, ensure that all the used oil is collected. Avoid spillage .Take the used oil to a recycling unit.
- Do not dispose of used oil filter in a rubbish bin. Take it to a recycling unit.
- Replace the silencer if faulty. When carrying out repairs, always use original spare parts.
- Always seek professional help when the carburettor requires adjustment.

- Clean the air filter according to directions.
- When, after many years of service, your machine needs to be replaced or is no longer required, we recommend that the machine is returned to you distributor for recycling.

TECHNICAL DATA

Dimensions L x l x h	mm	660*510*425
Dry weight	kg	28
Cutting width	cm	40.4
Cutting height setting	mm	25-70
Rear/front wheel diameter	inch	8/6
Grass bag capacity	L	32

Engine

Model ENGINE		DB475
Type		OHV, 4-stroke engine
Displacement	cm ³	125
Bore x stroke	mm	65x 42
Nominal power	kW	2.5
Maximum torque	N.m	7.0
Speed	Min ⁻¹	3000
Ignition		Spark
Spark Plug		LD F7RTC
Electrode gap		0.7-0.8 mm
Recommended fuel		95/98 oct unleaded
Fuel tank capacity	cm ³	1200 (1.2L)
Fuel consumption	l/h	0.4
Running time on tank of fuel	H	1.5
Recommended oil		SAE15W-40
Engine oil capacity	l	0.5

Noise according:

Sound pressure level L_{PA} 81,4dB (A) K = 2, 5 dB (A)

Sound power level L_{WA} 92, 54 dB (A) K = 1, 17 dB (A)

Guaranteed L_{WA} 96 dB (A)

Vibration emission (ah): 4, 350m/s² K = 1, 5 m/s²

Warranty

We guarantee this product for 2 full years.

The warranty period for this item starts on the day of purchase. You can prove the date of purchase by sending us the original receipt.

We insure over the entire warranty period:

- Free repair of possible malfunctions.
- Free replacement of damaged parts.
- Including the free service of our specialized personnel (i.e. free assembly by our technicians)

Provided that the damage is not due to improper use of the device.

To help you with your product, we invite you to use this link or call us on +33 (0)9 70 75 30 30:

<https://services.swap-europe.com/contact>

You must create a "ticket" via their platform:

- Register or create your account
- Indicate the reference of the tool
- Choose the subject of your request
- Explain your problem
- Attach these files: Invoice or receipt, identification plate photo (serial number), photo of the part you need (eg broken transformer plug pins)



Declaration of Conformity EU



RACING

32, rue Aristide Bergès -Z1 31270 Cugnaux - France

Tel. +33 (0) 5.34.502.502 Fax: +33 (0) 5.34.502.503

Declares that the machine named below

GASOLINE LAWNMOWER

RAC4000T-A2

Serial number: 20200123843-20200124256

Complies with the following European Directives:

Machinery Directive 2006/42/EC

EMC Directive 2014/30/EU

Directive (EU)2016/1628

Other applicable guidelines:

Noise Directive 2000/14/EC Annex VI and 2005/88/EC

Guaranteed Sound Power Level	96 dB(A)
Sound power level	92,54 dB(A) K = 1,17 dB(A)

Notified body: Société Nationale de Certification et d'Homologation NB 0499

11, route de Luxembourg

L-5230 Sandweiler

Applicable harmonized standards:

EN ISO 5395-1:2013+A1

EN ISO 5395-2:2013+A1:2016+A2:2017

EN ISO 14982: 2009

Responsible for the technical file: Oliver Patriarca

Cugnaux, 08/01/2020

Philippe MARIE / PDG